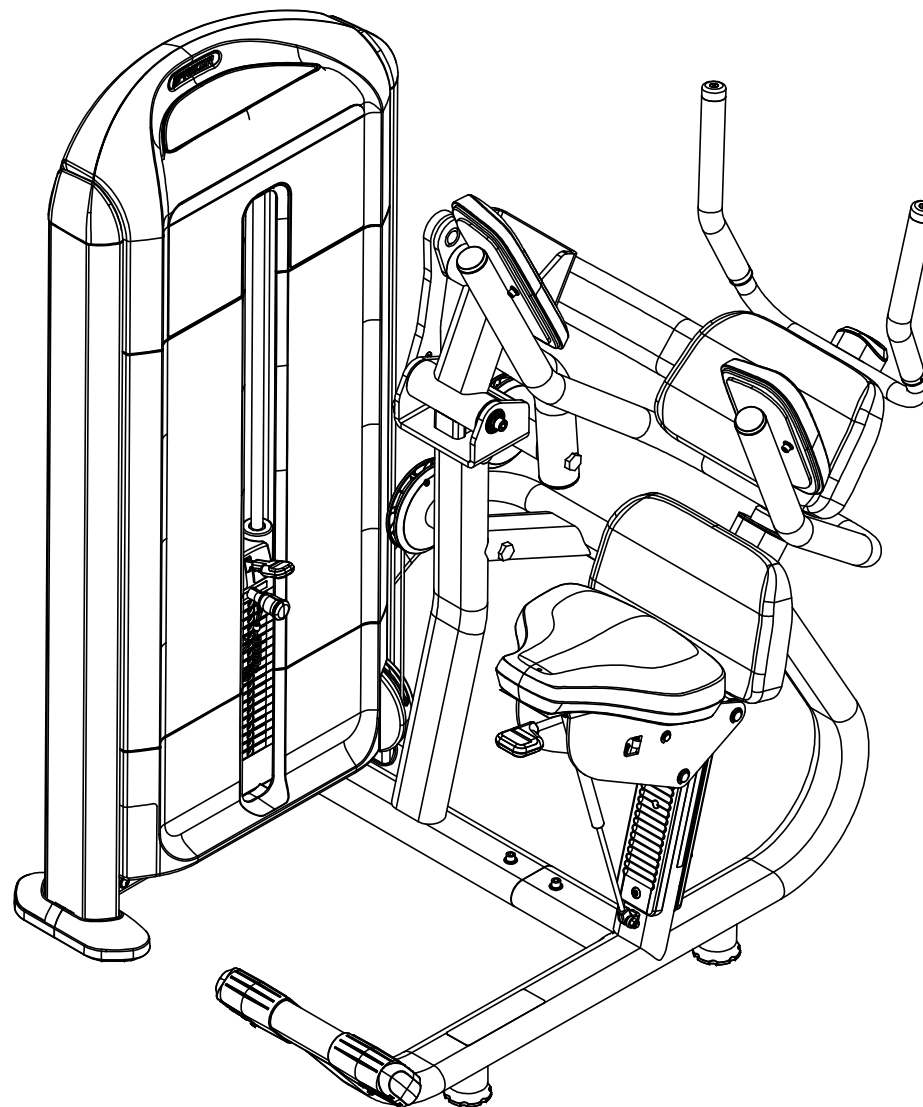


## NOTES:

1 THIS LABEL IS FURNISHED AS PART OF A LABEL KIT.  
ORDER REPLACEMENT LABEL KITS AS FOLLOWS:

- 201 ENGLISH
- 202 CHINESE
- 203 FRENCH
- 204 GERMAN
- 205 JAPANESE
- 206 SPANISH
- 207 DUTCH
- 208 PORTUGUESE
- 209 RUSSIAN
- 210 HEBREW
- 211 ITALIAN



PRODUCT:

DSL714, DSAC

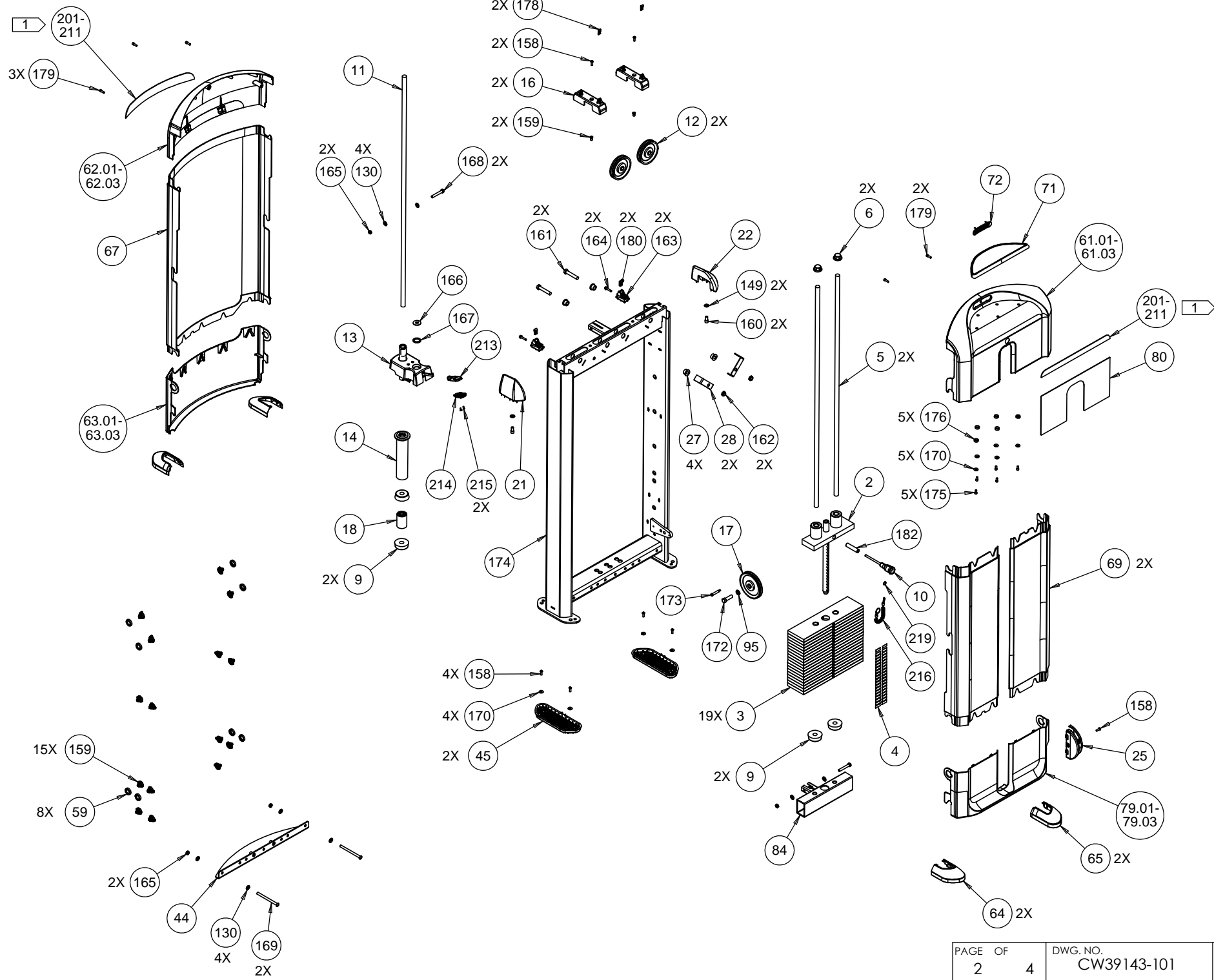
PRECOR®

DRWN BY	10.24.13	KAW	SIZE	PAGE	OF	DWG. NO.	SUBREV
CS	10.22.13	BG	A	1	4	CW39143-101	A

C

B

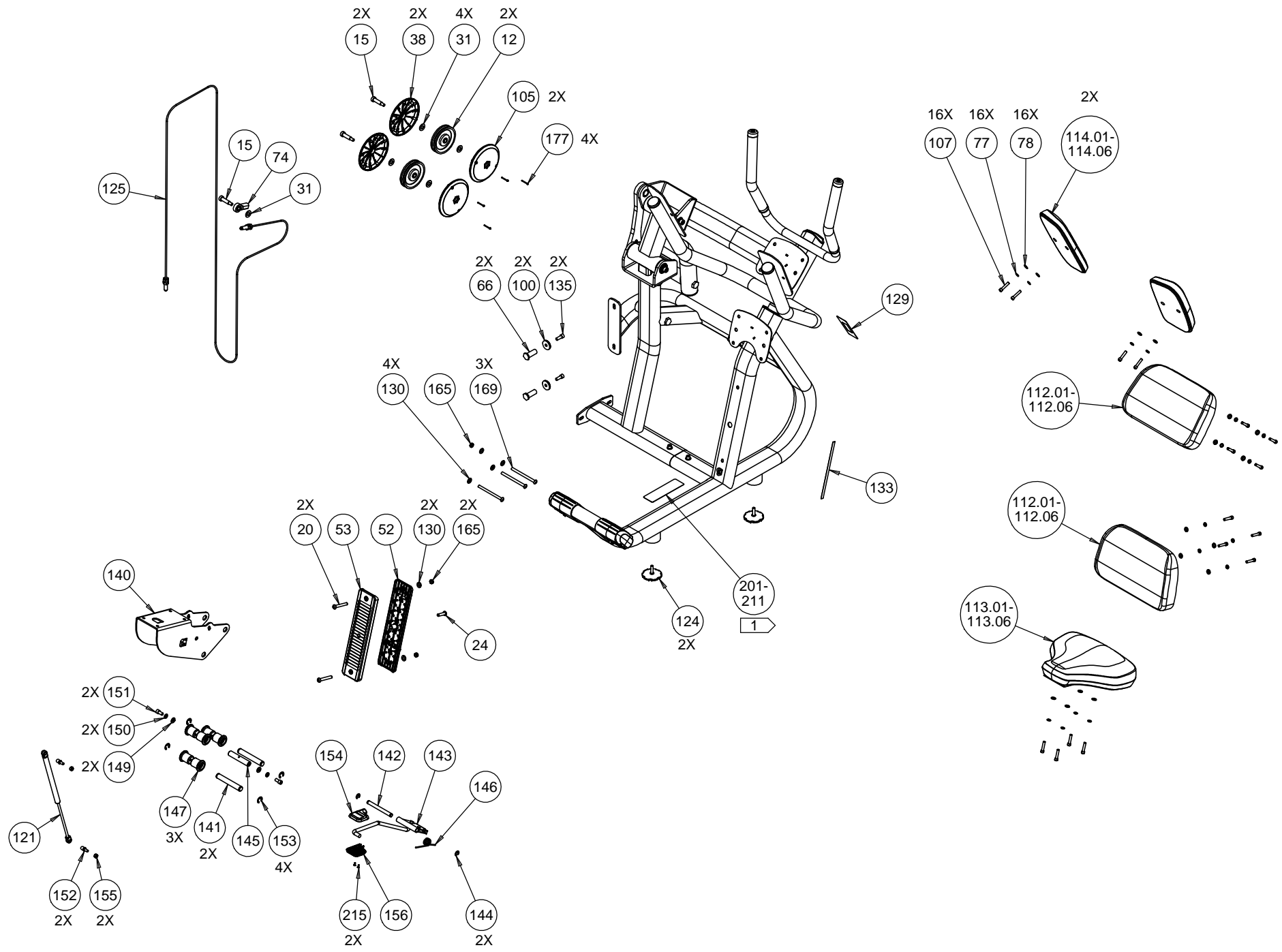
A



3

2

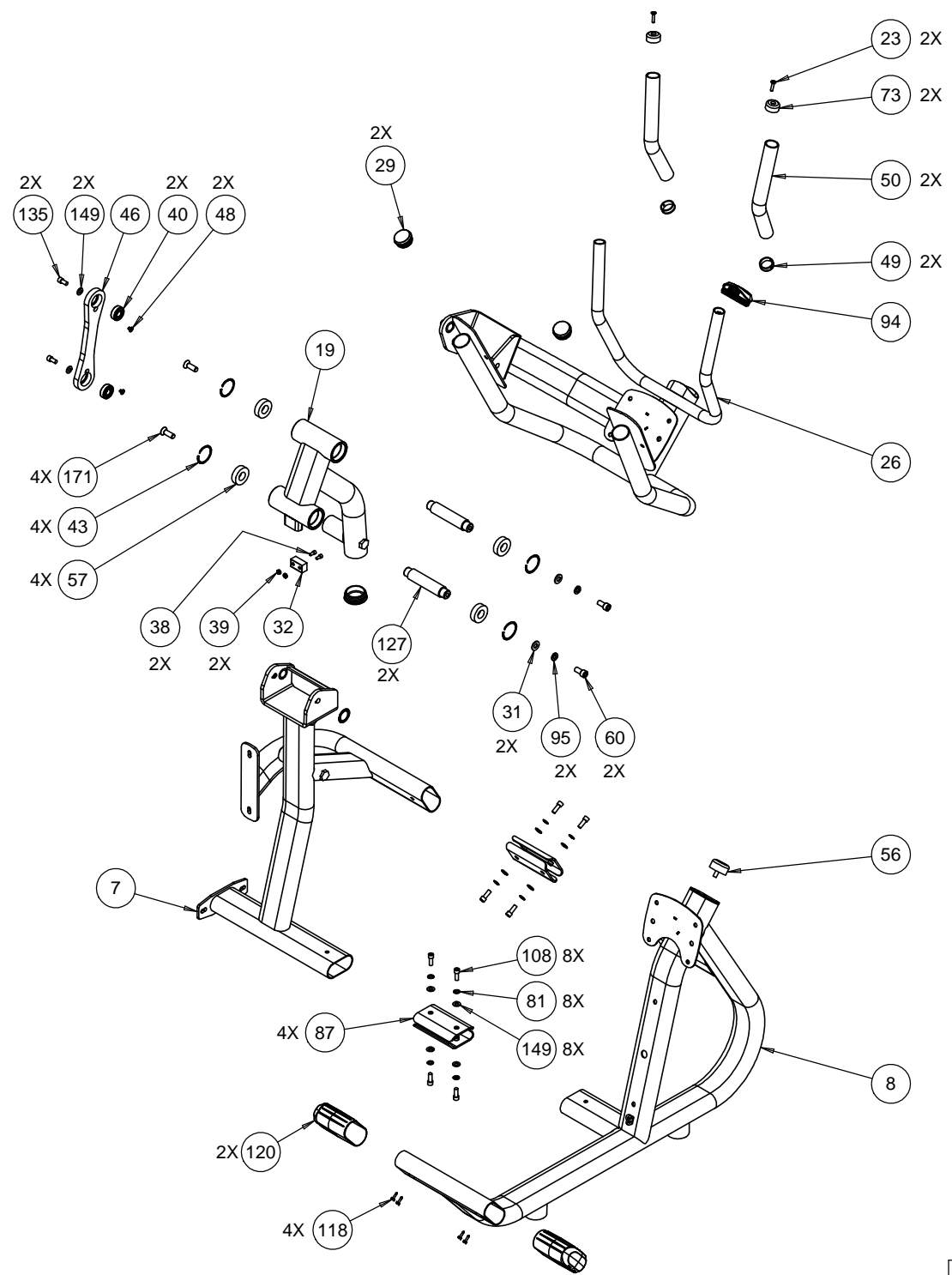
1



3

2

1



## DSL714\_Abdominal\_Crunch\_Core

Bubble Number	Part Number	Description	
2	<b>CW38025-103</b>	ASSY, TOP PLATE, 200LB WT STK, DS	Discontinued
3	<b>CW38037-101</b>	ASSY, WT PLATE, 10LB, DS	
4	<b>CW38017-101</b>	DECAL SET, 10LB WT PLATES, DS	
5	<b>CW38041-101</b>	GUIDEROD, .75ODX47.63, CRS, DS, CR	
6	<b>CW38009-101</b>	CAP, END, SANTOPRENE, GUIDE ROD, DS	
9	<b>CW38013-101</b>	BUMPER, 2.5ODX.75IDX.8, WT STK	
10	<b>CW38138-102</b>	ASSY, SLCTR PIN WITH TETHER, DS	
11	<b>CW38020-101</b>	GUIDEROD, .75ODX49.75, CRS, CR	
12	<b>CWAC1009-101</b>	PULLEY, 4 1/2 DIA X 1/2 ID	
13	<b>CW40346-101</b>	ASSY, ADD ON WEIGHT, 5LB, DS	
15	<b>CWRANN038-150</b>	BOLT, SHOULDER, 3/8-16 X 1/2 X 1 1/2	
16	<b>CW38051-101</b>	MOUNT, FRONT CAP, PLASTIC, DS	
17	<b>CW38010-101</b>	PULLEY, 5ODX.5ID	
18	<b>CW38143-201</b>	ASSY, AOW SELECTOR, 5 LB COVER, DS	
20	<b>CWTAKN038-275</b>	SCREW, BTHD, 3/8-16X2-3/4, BLK ZN	
21	<b>CW38008-101</b>	CAP, END, AL, TRP TWR RIGHT, DS, PC	
22	<b>CW38028-101</b>	CAP, END, AL, TRP TWR LEFT, DS, PC	
23	<b>CWMACCN025-100</b>	SCREW, FH, SH, 1/4-20X1, CZ	
24	<b>CWTAKN038-150</b>	SCREW, BTHD, 3/8-16X1-1/2, BLK ZN	
25	<b>CW38054-101</b>	COVER, PULLEY, R VERT/L HORZ, DS TWR	
28	<b>CW38136-101</b>	BRKT, CABLE ANTIJUMP, DS, PC	
31	<b>CWWBCN050-010</b>	WASHER, FLAT, TYPE A, NARROW, 1/2 I	
32	<b>CW49768-101</b>	1 X 1.75 X 0.75 BUMPER WITH STEEL B	
38	<b>CW33997-107</b>	4.5 in. PULLEY COVER, HEX MOUNT, FRONT	
38	<b>CWCACN025-050</b>	SCREW, SHC, 1/4-20X.50, CZ	
39	<b>CWKDMN025-022</b>	LOCKNUT, NYLON INSERT, FULL, UNC, 1	
40	<b>CW10158-106</b>	BEARING, BALL, 6203, 40MM OD X 17MM	
41	<b>CW11382-109</b>	CAP, TUBE, PLASTIC, ROUND, RN2-1/2F	

42	<b>CWKACN050-031</b>	LOCKNUT,HALF, 1/2-13, ZN
43	<b>CWACNN206-039</b>	RING,RETAIN,INT,2.06ODX.039W,SMALLE
44	<b>CW38043-101</b>	ASSY,TWR KICKPLATE,DS,WITH RIV NUTS
45	<b>CW38012-101</b>	PAD,FOOT,SANTO OVRMLD,DS TWR
47	<b>CWWAHNN140-002</b>	1WASHER,WAVE, 1.40 ID, 1.82 OD, .02
48	<b>CWMACCN025-038</b>	SCREW, FH,SHC,UNC,1/4-20 X .38,CZ
49	<b>CWAC223-902</b>	RING,GRIP,W/SS,1.25 in.ID
49	<b>CW34039-101</b>	ASSY,HANDLE RETAINING RING,1.29 ID
50	<b>CWGR4713-500</b>	GRIP, RUBBER, 1-1/4 in. OD HANDLE, 13.
52	<b>CW33822-101</b>	STOP PLATE, SEAT ADJUST
53	<b>CW33821-101</b>	INDEXING PLATE, SEAT ADJUST
56	<b>CW34690-101</b>	BUMPER, RUBBER, SCREW-ON, 3/8-16.
57	<b>CW10158-101</b>	BEARING, BALL, 6205, 52MM OD X 25MM
59	<b>CW38055-101</b>	ADPTR,RING,COVER SPACER,PLASTIC,DS
60	<b>CWCACN050-150</b>	SCREW,SHC,1/2-13X1.5,CZ
64	<b>CW38154-201</b>	COVER,FOOT,PLASTIC,FRONT,DS
65	<b>CW38154-202</b>	COVER,FOOT,PLASTIC,BACK,DS
66	<b>CW33991-102</b>	WEIGHT TOWER BOLT ON, SHORT
70	<b>CW38006-101</b>	MOUNT,TWR COVERS,PLASTIC,DS
73	<b>CW34060-101</b>	END CAP, HANDLE, AL, 1.25 in. OD
74	<b>CW12664-101</b>	ROD END, FEMALE, STEEL/TEFLON, ZINC
77	<b>WALCN031-008</b>	WASHER, 5/16 SPLIT LOCK, ZINC
78	<b>WBCN031-007</b>	WASHER,FLT,5/16X.688X.065, ZN
80	<b>CW38760-101</b>	PLACARD, INSTR,DSAC
81	<b>CWWATCN038-032</b>	WASHER, LK, INT. TOOTH, .375
84	<b>CW38044-101</b>	WLDMT,WT STK SPACER,3IN,DS,PC
87	<b>CW33880-101</b>	FORMED,PLATE, .19 THICK,DOUBLE-D CO
94	<b>CW33996-101</b>	DOUBLE D TUBE END CAP
95	<b>CWWALCN050-013</b>	WASHER, SPLIT, 1/2 ID, CLR ZINC
100	<b>CW38137-101</b>	WASHER,DOMED FINISH,1.5OD,AL,DS

105	<b>CW33997-110</b>	4.5 in. PULLEY COVER, HEX MOUNT, BACK	
107	<b>CWCACN031-150</b>	SCREW,SHC,5/16-18 X1.50,CZ	
117	<b>CWPMTN016-063</b>	SCREW, SELF TAPPING,#8 X 5/8 PHIL,	
118	<b>CWPHTN019-075</b>	SCREW, S/T,#10 X 3/4, WASHER HEX HE	
119	<b>CW35085-101</b>	LABEL, PIVOT POINT, C-LINE	
120	<b>CW34062-101</b>	FOOT ASSIST COVER	
121	<b>CW33993-101</b>	GAS SPRING, 200MM STROKE	
124	<b>CW39916-103</b>	FOOT, ADJUSTING, NO LOGO	
125	<b>CWCLRS136-750</b>	ASSY,CABLE,DSAC	
127	<b>CW33797-101</b>	BAR,1.25 DIA,PIVOT SHAFT	
129	<b>CW35415-101</b>	LABEL,REGULATORY,DS	
130	<b>CWWBTN038-007</b>	WASHER, FLAT, TYPE A, SAE, 3/8 ID	
133	<b>CW34377-103</b>	LABEL,SEAT ADJUSTMENT, VERTICAL	
134	<b>CWAACN138-003</b>	RETAINING RING, EXTERNAL 1.375 DIA	
135	<b>CWCACN038-100</b>	SCREW,SHC,3/8-16 X1.00,CZ	
140	<b>CW33752-102</b>	FORMED PLATE, .19 THICK	
141	<b>CW33976-102</b>	BAR, .75 DIA, SEAT ROLLER SHAFT	
142	<b>CW33755-102</b>	BAR, .50 DIA., SEAT LATCH SHAFT	
143	<b>CW40355-101</b>	WLDMT,LATCH,SEAT ADJUST,DS,PC	Discontinued
144	<b>CWAECN050-004</b>	E-RING,.50 DIA X .04 THICK, CLEAR Z	
145	<b>CW33756-101</b>	BAR, .75 DIA.	
146	<b>CW33938-101</b>	SPRING, TORSION, SEAT LATCH	
147	<b>CW34263-101</b>	ASSEMBLY, SEAT, ROLLER	
149	<b>CWWBCN038-007</b>	WASHER, FLAT, TYPE A, 3/8 ID X 13/1	
150	<b>CWWALCN038-009</b>	WASHER, SPLIT, 3/8 ID, CLR ZINC	
152	<b>CW33992-101</b>	BALL, GAS SPRING	
153	<b>CWAECN075-005</b>	E-RING,.75 DIA X .05 THICK, CLEAR Z	
154	<b>CWP013100-101</b>	HANDLE TOP	
155	<b>CWKACN031-016</b>	LOCKNUT,HALF, 5/16-18,ZN	
156	<b>CWP013200-101</b>	HANDLE BOTTOM	

158	<b>CWTATN025-075</b>	SCREW, BUTTON HEAD, SHARPERIZED BLK
159	<b>CW12112-101</b>	RIVNUT,INSERT,HEX,1/4-20
160	<b>CWCAYN038-075</b>	SCREW, SOCKET HEAD, BLK XYLAN, 3/8
161	<b>CWHCCN050-275</b>	SCREW, HEX HEAD, ZN, 1/2-13 X 2.75
163	<b>CW38052-101</b>	MOUNT,REAR CAP,PLASTIC,DS
164	<b>CWPLCN025-125</b>	SCREW,ST,SLT HEX WSHR,1/4-20X1.25,C
165	<b>CWKAYN038-027</b>	LOCKNUT, NYLON INSERT, HALF, UNC,
166	<b>CWWCKN050-011</b>	WASHER,A,WIDE,1/2ID,BZ
167	<b>CW38141-101</b>	WASHER,COMP,1.38ODX1IDX.15,TPE
168	<b>CWHCYN038-250</b>	BOLT,HH5,3/8-16X2.50,BLK XYLAN
169	<b>CWTAKN038-500</b>	SCREW,BHC,3/8-16X5.00,BZ
170	<b>CWWAACN025-006</b>	WASHER, FLAT, TYPE B, 1/4 ID X .734
171	<b>CWMACCN050-150</b>	SCREW,FH,1/2-13X1.25 THREAD,1.50 LO
172	<b>CWHFWN050-175</b>	BOLT,HH8,1/2-20X1.75,YZ
173	<b>CWRANN025-150</b>	BOLT, SHOULDER, 1/4-20 X 5/16 X 1 1
177	<b>CWPMTN016-125</b>	SCREW, SELF TAPPING,#8 X 1 1/4 PHIL
182	<b>CW38015-101</b>	PIN,ROLL,16.5MMODX70MM,STEEL
213	<b>CW38134-103</b>	HANDLE,AOW SELECT,TOP,OVRMLD,DS
214	<b>CW38134-104</b>	HANDLE,AOW SELECT,BOTTOM,OVRMLD,DS
216	<b>CW38132-101</b>	TETHER,SLCTR PIN,11.4MMODX100L,DS
217	<b>CW58084-101</b>	CS KIT, WRAP, FRONT COVER (RIGHT OR LEF
218	<b>CW58085-101</b>	CS KIT, WRAP, REAR COVER
219	<b>CW38334-102</b>	RING,SPLIT,0.59ODX0.50IDX.09T,CZ
225	<b>CW58108-101</b>	CS KIT, SEAT ADJUST HANDLE, DPL & D
999	<b>CW38344-101</b>	LIT KIT,GENERIC,DS
108/151	<b>CWCACN038-075</b>	SCREW,SHC,3/8-16X3/4,CZ
157/215	<b>CWTEKN004-010</b>	SCREW,BHC, M4X0.7X10L,BZ